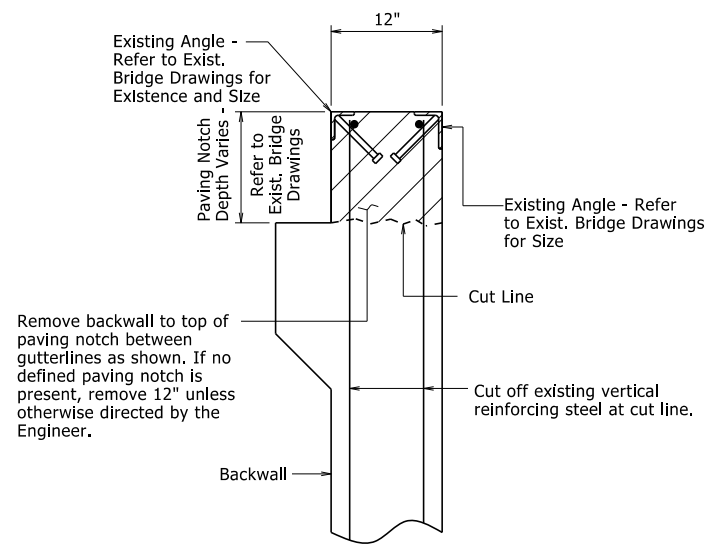
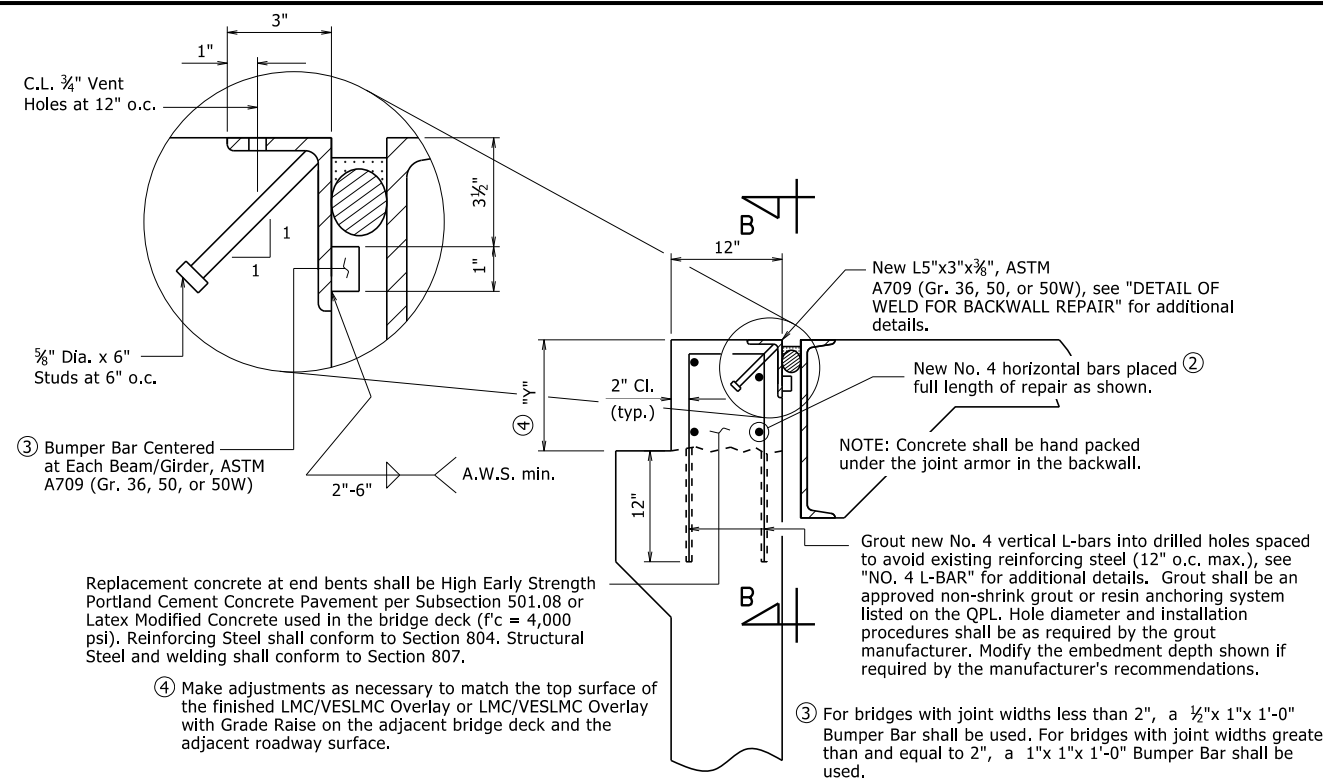


DATE REVISED	DATE FILMED	DATE REVISED	DATE FILMED	FED. ROAD DIST. NO.	STATE	FED. AID PROJ. NO.	SHEET NO.	TOTAL SHEETS
				6	ARK.			
				JOB NO. <span style="float: right;">BACKWALL REPAIR - 55065</span>				



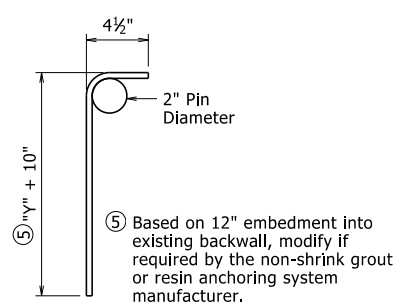
**BACKWALL REPAIR REMOVAL DETAIL**

The portion of the backwall above the paving bracket as shown shall be removed and disposed of in accordance with Section 821. Payment for all materials, labor, tools, and equipment required for this work will be inclusive to the item "Modification of Existing Bridge Structure (Bridge No. \_)".

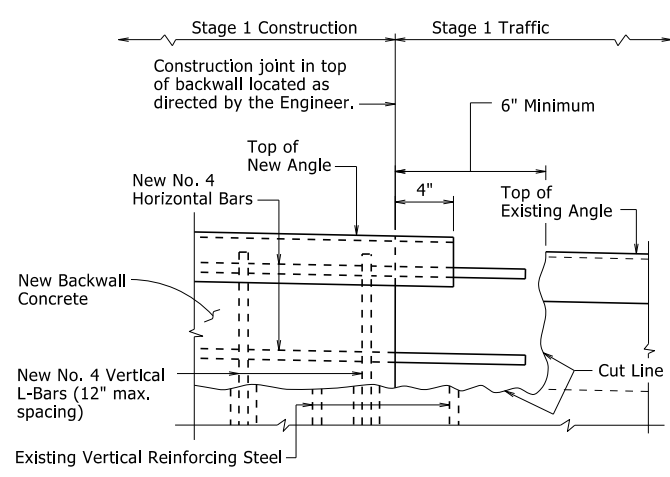


**BACKWALL REPAIR INSTALLATION DETAIL**

The portion of the backwall above the paving bracket shall be reconstructed as shown. Payment for all materials, labor, tools, and equipment required for this work will be inclusive to the item "Modification of Existing Bridge Structure (Bridge No. \_)". Details shown for LMC/VESLMC Overlay with grade raise; details similar for LMC/VESLMC Overlay without grade raise.

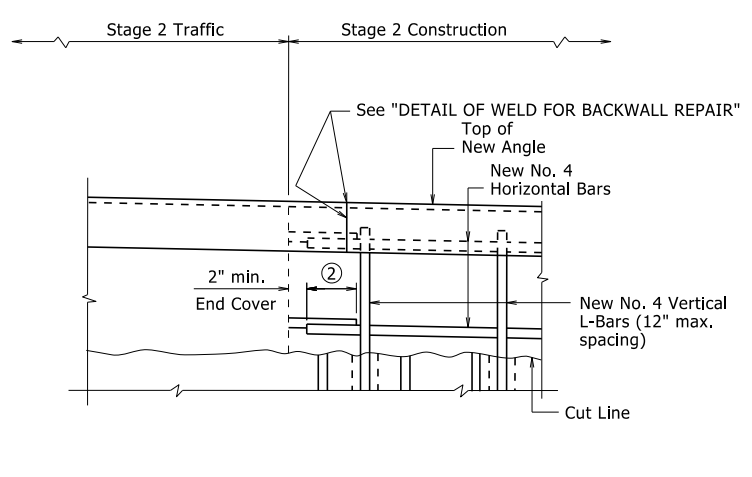


**NO. 4 L-BAR**



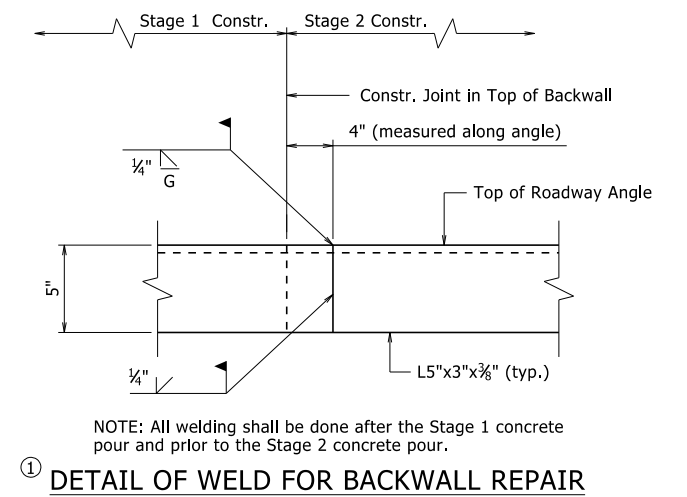
**VIEW B-B, STAGE 1**

Details shown for LMC/VESLMC Overlay with grade raise; details similar for LMC/VESLMC Overlay without grade raise.



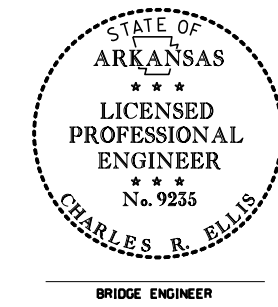
**VIEW B-B, STAGE 2**

- 1 Details shown are typical for staged construction. When full width rehabilitation of a bridge deck is possible, eliminate construction joint shown and perform the backwall repair in one operation for full repair width.
- 2 The 32 bar diameter minimum lap per Subsection 804.07 may be waived if this requirement cannot be met due to construction conditions. In this situation, the lap length shall be maximized as much as practical.



**DETAIL OF WELD FOR BACKWALL REPAIR**

This document was originally issued and sealed by Charles R. Ellis, PE No. 9235, on November 7, 2019. This copy is not a signed and sealed document.



**STANDARD DETAILS FOR BACKWALL REPAIRS**

ROUTE                      SEC.  
**ARKANSAS STATE HIGHWAY COMMISSION**

LITTLE ROCK, ARK.

DRAWN BY: KWY      DATE: 11/7/2019      FILENAME: b55065.dgn  
 CHECKED BY: SWP      DATE: 11/7/2019      SCALE: None  
 DESIGNED BY: STD.      DATE:                     

**DRAWING NO. 55065**