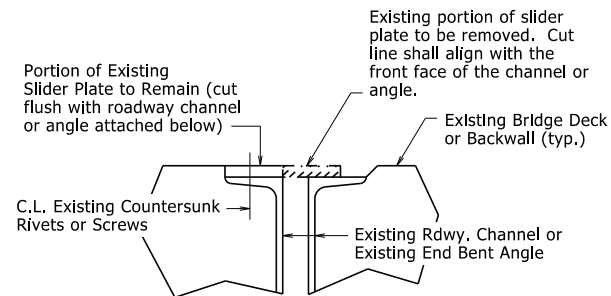
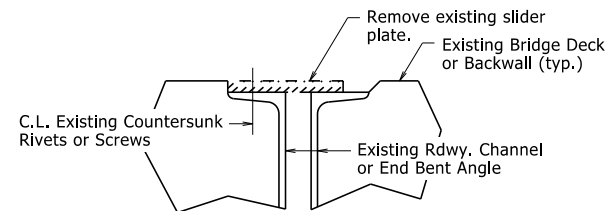


DATE REVISED	DATE FILMED	DATE REVISED	DATE FILMED	FED. ROAD DIST. NO.	STATE	FED. AID PROJ. NO.	SHEET NO.	TOTAL SHEETS
				6	ARK.			
				JOB NO.		JOINT REPAIR - 55064		



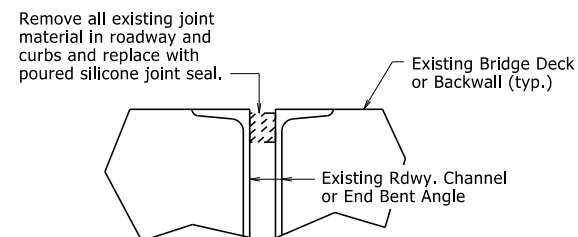
REMOVAL DETAILS AT EXISTING SLIDER PLATE JOINTS

At the direction of the Engineer, the portion of existing slider plate shown shall be removed and replaced with a new plate as shown in "SLIDER PLATE JOINT MODIFICATION". The portion of existing slider plate shall be removed and disposed of in accordance with Section 821. The cut face shall be ground square and flush with the face of the existing angle or channel. Removal and disposal of existing slider plate material will not be paid for directly, but shall be considered subsidiary to the item "Silicone Joint Sealant". Properly functioning slider plates need not be modified.



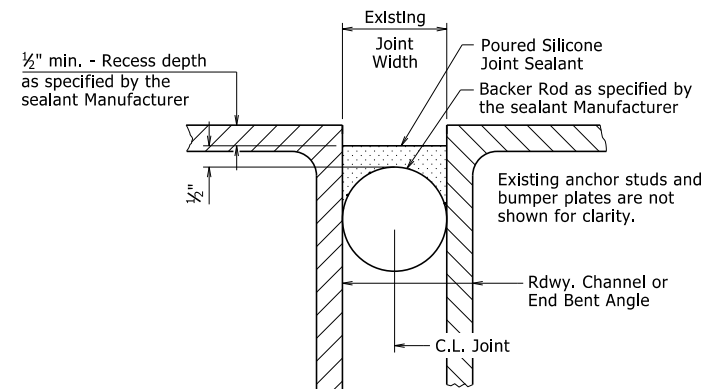
REMOVAL DETAILS AT EXISTING SLIDER PLATE JOINTS WITH GRADE RAISE

The existing slider plate shown shall be removed and replaced with new plates as shown in "JOINT MODIFICATION WITH GRADE RAISE". The existing slider plate shall be removed and disposed of in accordance with Section 821. Removal and disposal of existing slider plate material will not be paid for directly, but shall be considered subsidiary to the item "Silicone Joint Sealant".



REMOVAL DETAILS AT EXISTING FILLED JOINTS

The existing joint material shall be removed and disposed of in accordance with Section 821. Removal and disposal of existing joint material will not be paid for directly, but shall be considered subsidiary to the item "Silicone Joint Sealant".



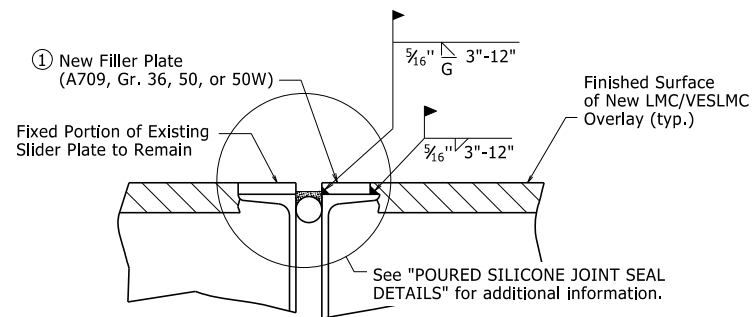
POURED SILICONE JOINT SEAL DETAILS

Existing Joint Seal shall be completely removed, backer rods placed, and Silicone Joint Sealant installed across the entire width of the bridge deck in accordance with these details, Section 809, and the Manufacturer's recommendations. Removal of existing Joint Seal will not be paid for directly, but shall be considered incidental to the item "Silicone Joint Sealant".

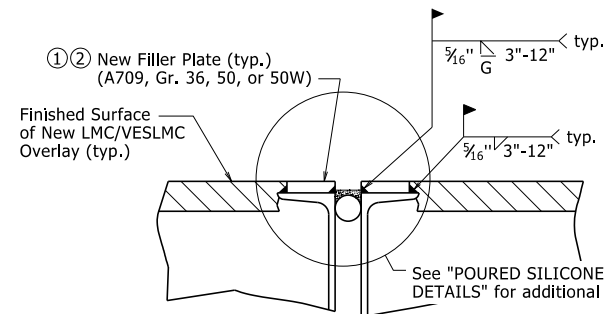
Backer rods shall be extended beyond the length of the poured joint in the initial joint repair area so that the two pieces can be properly spliced together prior to installing sealant for the adjacent joint repair. Manufacturer's recommendations shall be followed to prevent sealant leakage during repair work.

Backer rods shall be appropriately sized and set to the depth shown in the Manufacturer's literature based on the joint width at the time of sealing. Except as noted, do not install more backer rod than can be sealed in the same day. The Contractor shall verify separation of the backer rod from the joint material after joint material has set.

Backer rod shall be notched or otherwise fit around any existing seal supports or bumper plates to maintain its proper depth as defined above.



SLIDER PLATE JOINT MODIFICATION

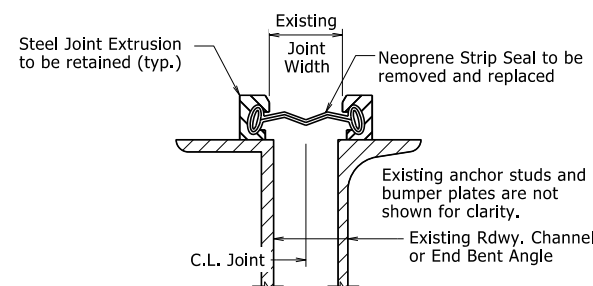


JOINT MODIFICATION WITH GRADE RAISE

1 New field attached plates atop existing roadway channels or angles are required. The plate thickness shall be adjusted as necessary to match surface of finished surface of LMC/VESLMC Overlay and the width shall be 3/8" less than the existing channel flange or angle width to allow for fillet weld as shown.

All new Structural Steel shall be ASTM A709 (Gr. 36, 50, or 50W). The surfaces not in contact with concrete shall be cleaned and painted in accordance with Section 638. Only one coat of paint is required and shall be applied in the fabricator's shop. Grade 50W steel shall not be painted, but shall be cleaned in accordance with Subsection 807.84(e). Structural Steel and Painting will not be paid for directly, but shall be subsidiary to the item "Silicone Joint Sealant".

2 Details shown are for an expansion joint where two bridge units meet. Eliminate filler plate on backwall and proceed with backwall repair in accordance with "BACKWALL REPAIR REMOVAL DETAIL" and "BACKWALL REPAIR INSTALLATION DETAIL" at end bents for bridge decks with grade raise, see Standard Drawing Number 55065.



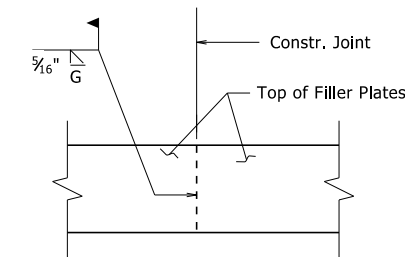
STRIP SEAL JOINT DETAILS

Existing neoprene strip seal joint material shall be completely removed and new neoprene strip seal joint material shall be installed across the entire width of the steel extrusions in accordance with these details, Section 809, and the Manufacturer's recommendations. Prior to installing the new joint material, the Contractor shall clean the steel extrusion at the Engineer's direction and in accordance with the new strip seal joint material Manufacturer's recommendations.

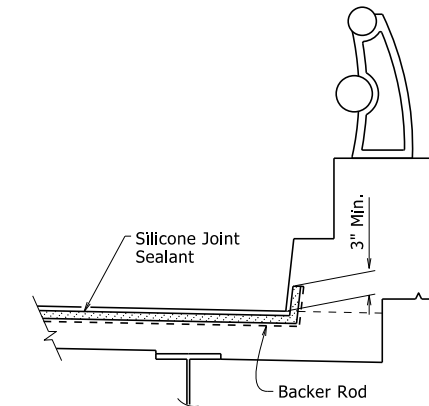
Removal and replacement of the existing neoprene strip seal joint material will require the removal of the parapet slider plates, where present. Parapet slider plates removed for this work shall be reinstalled after installation of the new neoprene strip seal joint material.

The new neoprene strip seal joint material shall provide a movement rating of four inches. The repaired expansion joint shall be capable of sealing the deck surface and parapet area to prevent moisture and other contaminants from descending through the joint.

All work and material associated with removing the existing joint material, cleaning the extrusions, removal and reinstallation of parapet slider plates, and installation of new joint material shall be paid for under the item "Modification of Existing Bridge Structure (Bridge No. _)".

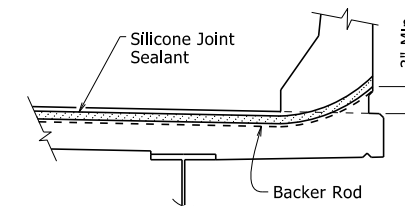


PLAN VIEW OF FILLER PLATE

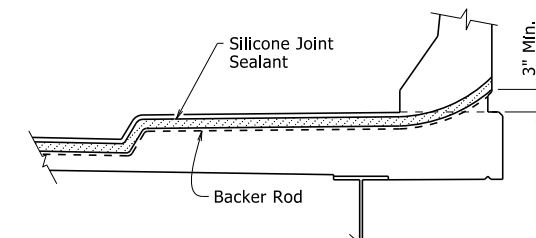


SILICONE JOINT SEAL PLACEMENT AT CURB

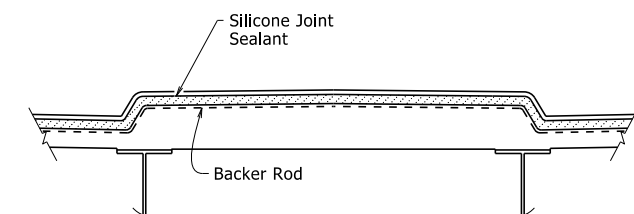
Vertical joints may require forming. The clearance from deck surface to joint material shall be maintained.



SILICONE JOINT SEAL PLACEMENT AT RAIL

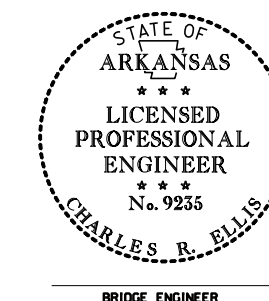


SILICONE JOINT SEAL PLACEMENT AT SIDEWALK



SILICONE JOINT SEAL PLACEMENT AT MEDIAN

This document was originally issued and sealed by Charles R. Ellis, PE No. 9235, on November 7, 2019. This copy is not a signed and sealed document.



STANDARD DETAILS FOR JOINT REPAIRS & MODIFICATIONS

ROUTE _____ SEC. _____

ARKANSAS STATE HIGHWAY COMMISSION

LITTLE ROCK, ARK.

DRAWN BY: KWY DATE: 11/7/2019 FILENAME: b55064.dgn

CHECKED BY: SWP DATE: 11/7/2019 SCALE: None

DESIGNED BY: STD. DATE: _____

BRIDGE ENGINEER

DRAWING NO. 55064