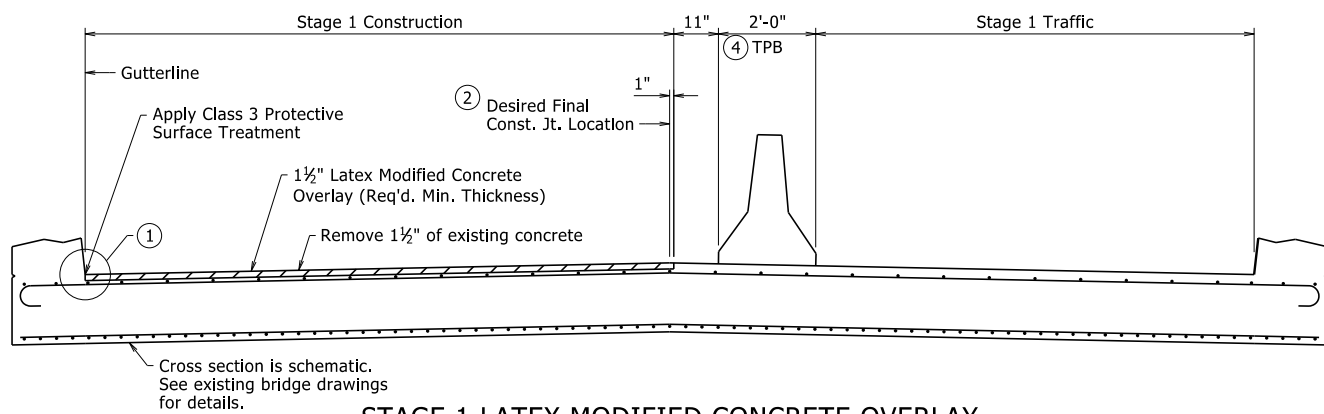


DATE REVISED	DATE FILMED	DATE REVISED	DATE FILMED	FED. ROAD DIST. NO.	STATE	FED. AID PROJ. NO.	SHEET NO.	TOTAL SHEETS
1/9/2020				6	ARK.			
6/25/2020								
				JOB NO.	HYDRO/LMC OVERLAY - 55062			

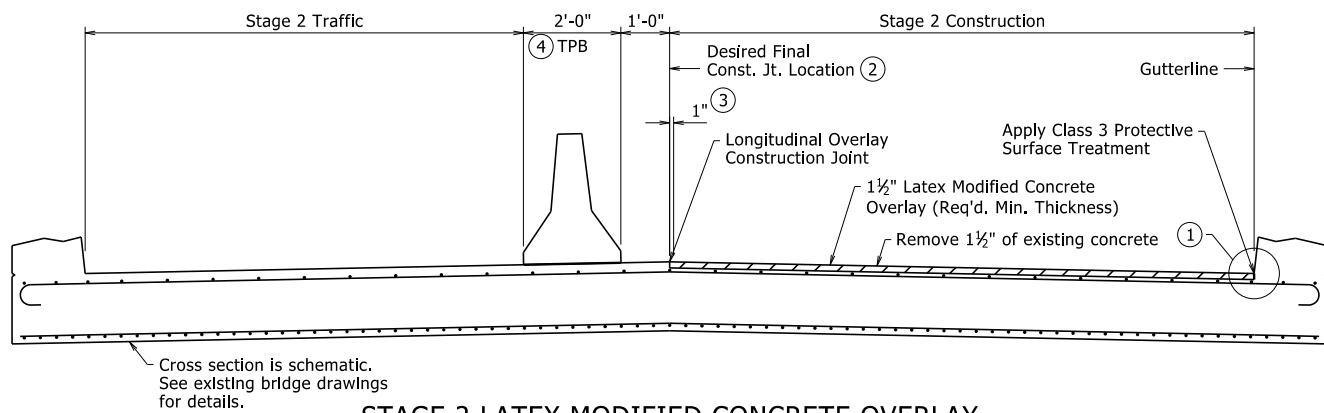
NOTE: Details shown are typical for staged construction. When full width rehabilitation of a bridge deck is possible, adjust hydrodemolition and latex modified concrete overlay operations and details accordingly.

Stages of Construction refer to Bridge Rehabilitation Work Zones as shown in Maintenance of Traffic Details. Numbering is shown for general purposes. See Roadway Plans for specific sequencing.

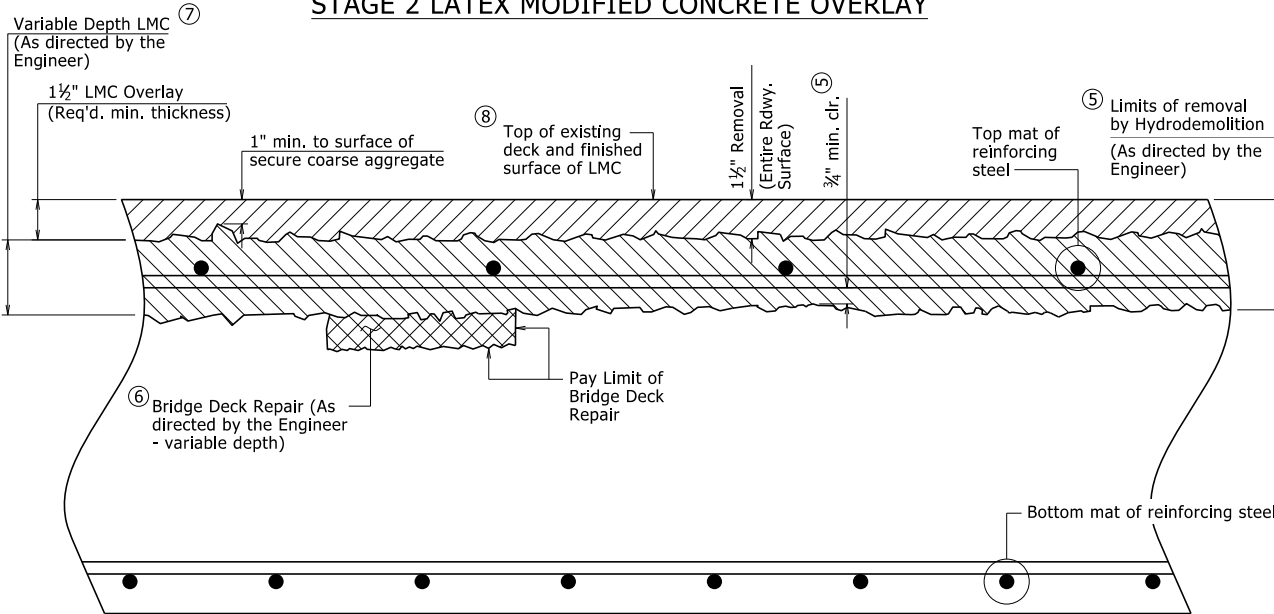
The minimum overlay placement length shall be a span length on simple span bridges and to a slab joint on continuous span, unless otherwise approved by the Engineer. Refer to existing bridge drawings.



STAGE 1 LATEX MODIFIED CONCRETE OVERLAY



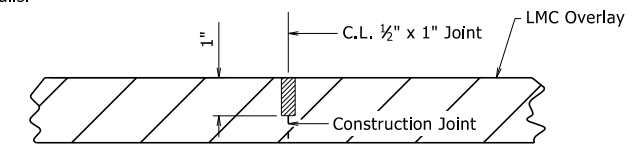
STAGE 2 LATEX MODIFIED CONCRETE OVERLAY



DETAILS OF HYDRODEMOLITION AND LATEX MODIFIED CONCRETE OVERLAY

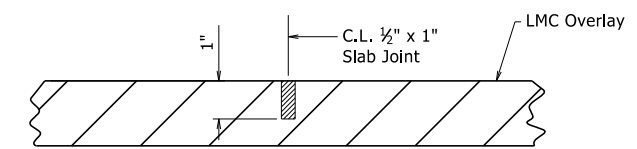
- ⑤ Removal of unsound concrete beyond 1 1/2" below the original surface shall be at the direction of the Engineer. If the bond between existing concrete and the top mat of reinforcing steel is destroyed, then the concrete shall be removed to a minimum of 3/4" clearance below the bar. This removal shall be subsidiary to the Item Job SP "Hydrodemolition - Class \_".
- ⑥ Areas requiring additional repair, as determined by the Engineer, shall be repaired in accordance with the Job SP "Bridge Deck Repair for Latex Modified Concrete Overlays".
- ⑦ Depth varies to achieve minimum clearance below top mat of reinforcing steel, where required.
- ⑧ Finished surface of LMC Overlay shall match existing concrete deck surfaces unless increase is required to maintain minimum required LMC Overlay thickness and a minimum of 1 1/2" cover to reinforcing steel.

- ① Hand tools shall be used as required to remove concrete adjacent to curbs, rails, and armored expansion joints.
- ② For staged construction, the final construction joint location shall be established by the Engineer to satisfy MOT and construction requirements. The desired location is at the C.L. Bridge, C.L. Lane, or Edge of Lane, but in no case shall be positioned in the line of a wheel path.
- ③ For staged construction, saw cut and remove 1" of initial Latex Modified Concrete Overlay when preparing surface for adjacent overlay.
- ④ For staged construction, Temporary Precast Barrier (TPB) shall not be connected to the surface of the bridge deck. See Std. Dwg. TC-4 for additional details. Plastic drums shall be used in lieu of concrete barriers where shown in the Roadway Plans, see Std. Dwg. TC-3 for additional details.



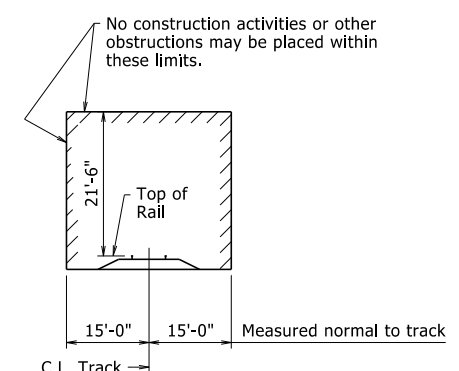
Use 1/2" x 1" Type 3 or 4 Joint Sealer. See Subsections 501.02(h) and 501.05(j). Backer Rod will not be required. Joint Sealer shall be measured and paid for as LMC Overlay. Longitudinal construction joints shall be sawed as soon as the concrete has sufficiently set to allow sawing of the joint without damage to the overlay. Seal color shall be gray or other color similar to concrete.

LONGITUDINAL OVERLAY CONSTRUCTION JOINT DETAIL



Use 1/2" x 1" Type 3 or 4 Joint Sealer. See Subsections 501.02(h) and 501.05(j). Backer Rod will not be required. Joint Sealer shall be measured and paid for as LMC Overlay. Slab joints shall extend from gutterline to gutterline. Slab joints shall be sawed as soon as the concrete has sufficiently set to allow sawing of the joint without damage to the overlay. Slab joints shall be placed at all pouring sequence construction joints and are required at existing slab joint locations. Pouring sequence construction joints shall align between stages of construction. The joint sealer shall extend across the deck from gutterline to gutterline. Seal color shall be gray or other color similar to concrete.

TRANSVERSE OVERLAY JOINT DETAIL

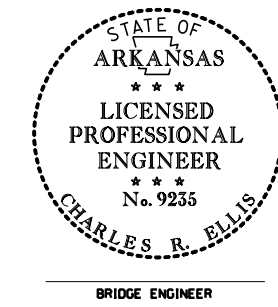


MINIMUM CONSTRUCTION CLEARANCE ENVELOPE

See Job SP "Insurance, Construction, and Flagging Requirements on Railroad Property" for additional railroad construction requirements.

- ⚠ Modified Hydrodemolition SP reference to include "- Class \_".  
By: KWY, Checked by: SWP; 1/9/2020.
- ⚠ Modified Joint Rehabilitation for additional clarification of unarmored joint work.  
By: KWY, Checked by: SWP; 6/25/2020.

This document was originally issued and sealed by Charles R. Ellis, PE No. 9235, on November 7, 2019. This copy is not a signed and sealed document.



GENERAL NOTES:  
CONSTRUCTION SPECIFICATIONS: Arkansas State Highway and Transportation Department Standard Specifications for Highway Construction (2014 edition) with applicable Supplemental Specifications and Special Provisions. Section and Subsection refer to the Standard Specifications unless otherwise noted in the Plans.

Details shown are schematic. The Contractor shall make check measurements in the field and make any adjustments necessary to meet the required clearances and fit the new work to the existing structure(s).

The operation or placement of vehicles, equipment, and/or materials on the subject bridge(s) necessary for the completion of this work shall be evaluated in accordance with Subsection 105.14. Certifications of the adequacy of all components for the anticipated loads shall address the capacity of the existing structure at all phases of this work.

Where applicable, construction activities for the existing bridge(s) over roadways and railroads shall be in accordance with the Job SP "Special Safety Requirements for Bridges" and as shown in "Minimum Construction Clearance Envelope".

⚠ HYDRODEMOLITION: The entire roadway surface of the existing bridge deck and approach slabs and gutters, as applicable, shall receive hydrodemolition in accordance with the Job SP "Hydrodemolition - Class \_" to a planned depth of 1 1/2" below the existing bridge deck surface. Deteriorated concrete in the bridge deck below this depth shall be removed at the direction of the Engineer and up to the limits detailed. These areas shall be measured by the square yard and shall be paid for at the unit price bid for the Item Job SP "Hydrodemolition - Class \_". Prior to hydrodemolition, cold milling of the concrete deck to a maximum depth of 1" will be allowed unless there will be a conflict with the existing reinforcing steel.

BRIDGE DECK REPAIR: After hydrodemolition, the deck surface shall be sounded and any areas of unsound, delaminated, or otherwise deteriorated concrete shall be removed at the direction of the Engineer and in accordance with Job SP "Bridge Deck Repair for Latex Modified Concrete Overlays".

LATEX MODIFIED CONCRETE OVERLAY: The entire area of the hydrodemolition shall receive a Latex Modified Concrete (LMC) Overlay to a planned depth of 1 1/2" below the existing bridge deck surface in accordance with Job SP "Latex Modified Concrete Overlay". These areas shall be measured by the square yard and shall be paid for at the unit price bid for the Item Job SP "Latex Modified Concrete Overlay (1 1/2" Thick)". Areas of the existing bridge deck removed at the direction of the Engineer to a depth greater than 1 1/2" below the existing bridge deck surface shall be filled with LMC concurrent to the placement of the 1 1/2" LMC Overlay. This area shall be measured and paid for in accordance with Job SP "Latex Modified Concrete Overlay".

GROOVED FINISH: The LMC Overlay surface of the bridge deck and approach slabs and gutters, as applicable, shall be given a grooved finish as specified for final finishing in Subsection 802.19 for Class 7 Grooved Bridge Roadway Surface Finish and in accordance with Job SP "Latex Modified Concrete Overlay".

PROTECTIVE SURFACE TREATMENT: The longitudinal joint between the LMC Overlay and the adjacent existing concrete curb or rail shall be given a Class 3 Protective Surface Treatment as specified in Section 803 and in accordance with Job SP "Latex Modified Concrete Overlay". The roadway surface of the completed LMC Overlay shall be given a Class 1 Protective Surface Treatment as specified in Section 803.

⚠ JOINT REHABILITATION: After the placement of the LMC Overlay and if shown in the plans, the existing armored joints shall be given a poured silicone joint sealant as specified in Section 809 and as shown in "Poured Silicone Joint Seal Details" on Standard Drawing No. 55064, and the existing unarmored joints shall be given a Type A Joint Rehabilitation as specified in Section 509 and Job SP "Joint Rehabilitation for Bridge Decks". Backwall repair, if shown in the plans or as directed by the Engineer, shall be completed prior to installation of the joint sealant.

NOTE: When "Very Early Strength Latex Modified Concrete Overlay (1 1/2" Thick)" is shown in the plans for a particular bridge, all reference to "Latex Modified Concrete Overlay" and "LMC" on this sheet shall be considered synonymous with "Very Early Strength Latex Modified Concrete Overlay" and "VESLMC" for that bridge. See Job SP "Very Early Strength Latex Modified Concrete Overlay" for additional information.

STANDARD DETAILS FOR HYDRODEMOLITION AND LMC OVERLAY REINFORCED CONCRETE SLAB STRUCTURES

ROUTE SEC.  
ARIZONA STATE HIGHWAY COMMISSION  
LITTLE ROCK, ARK.  
DRAWN BY: KWY DATE: 11/7/2019 FILENAME: b55062.dgn  
CHECKED BY: SWP DATE: 11/7/2019 SCALE: None  
DESIGNED BY: STD. DATE: -----  
DRAWING NO. 55062

PRINT DATE: 6/25/2020