

DATE REVISED	DATE REVISED	FED. RD. DIST. NO.	STATE	JOB NO.	SHEET NO.	TOTAL SHEETS
		6	ARK.			

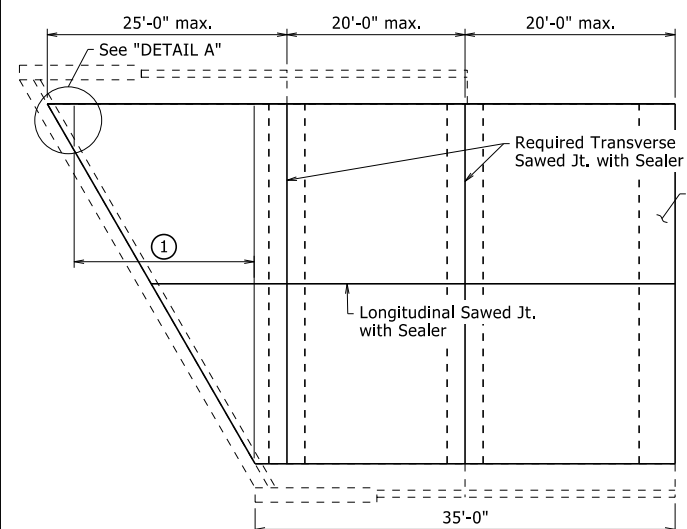
Type F Approach Slab - 55040F2

**NOTES**

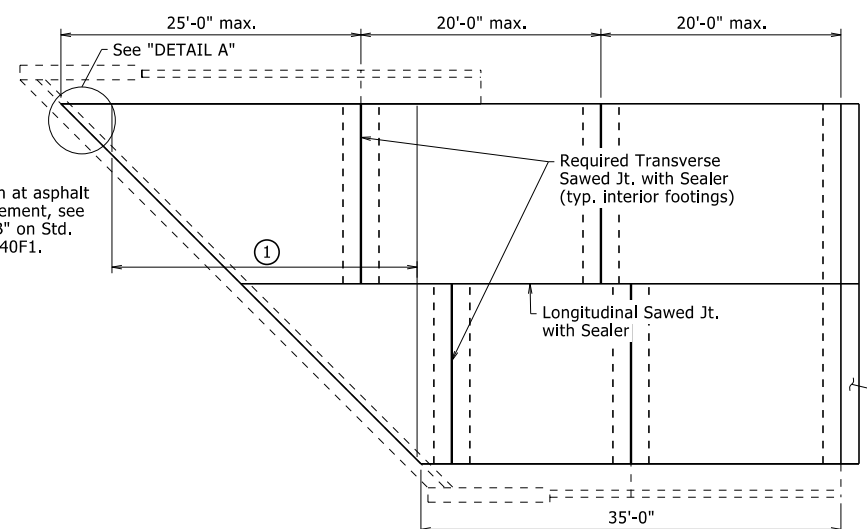
See Std. Dwg. No. 55040F1 for additional details of Type F Approach Slabs. Unless noted otherwise, minimum dimensions and reinforcing shall be as shown on Std. Dwg. No. 55040F1. Use of Alternate Square End Details shall be approved by the Engineer. Payment for alternate square end approach slabs shall be based on plan quantities.

Reinforcing shall be lapped as needed. All reinforcing shall be lapped between stages except for the reinforcing in the staggered footings or where the reinforcing cannot obtain the minimum lap length as shown in "MINIMUM BAR LAP LENGTH" on Std. Dwg. No. 55040F1.

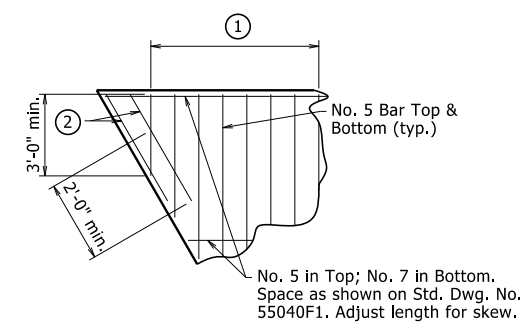
- ① Variable Length No. 5 Bars Top and Bottom spaced at 12" max. where slab is less than full width.
- ② Place additional No. 5 Bars Top and Bottom parallel to skew and spaced at 12" max. in acute corners for all stages as shown. Terminate once a 2'-0" lap with variable length No. 5 bars is achieved.



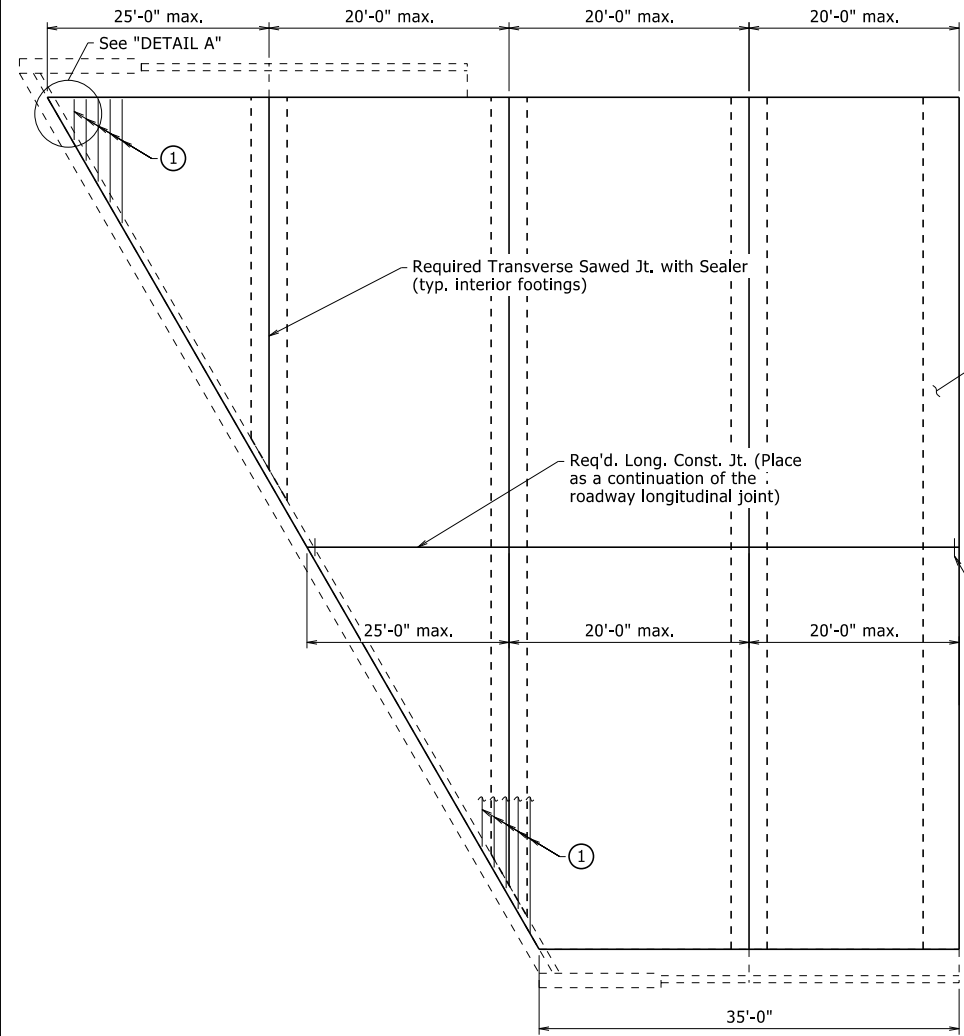
**ALTERNATE SQUARE END LAYOUT FOR SKEWED END BENT - CONTINUOUS FOOTINGS**  
 $\frac{1}{8}'' = 1'-0''$



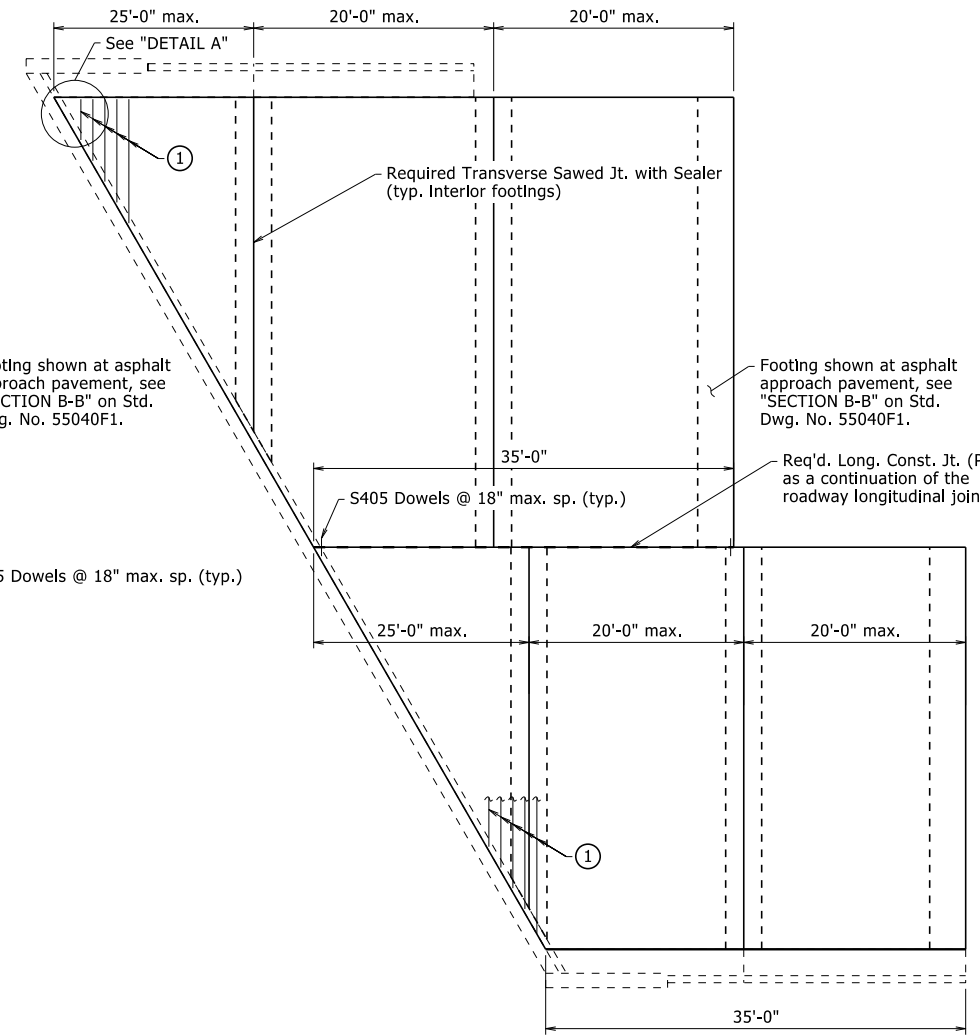
**ALTERNATE SQUARE END LAYOUT FOR SKEWED END BENT - STAGGERED FOOTINGS**  
 $\frac{1}{8}'' = 1'-0''$



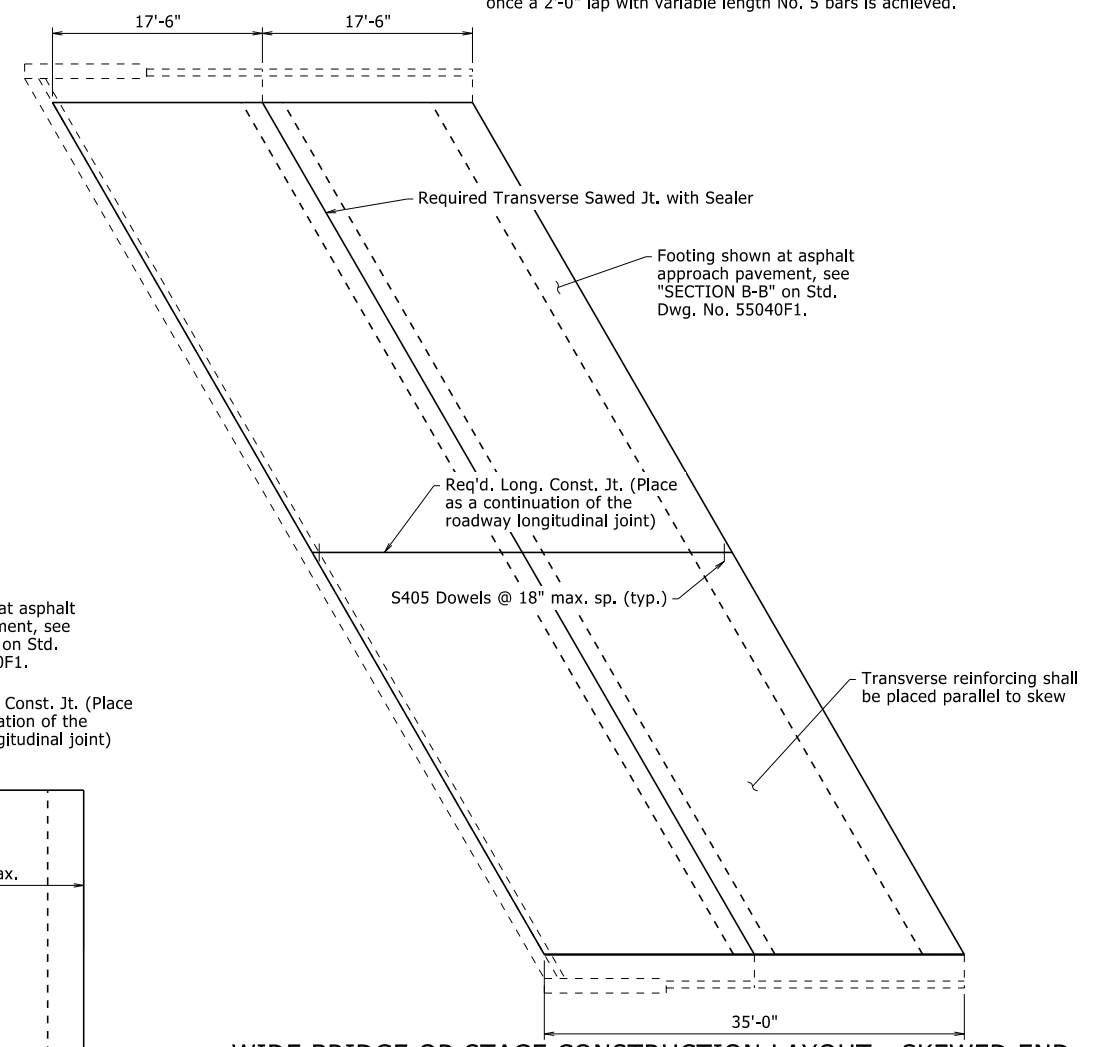
**DETAIL A**  
 $\frac{1}{4}'' = 1'-0''$



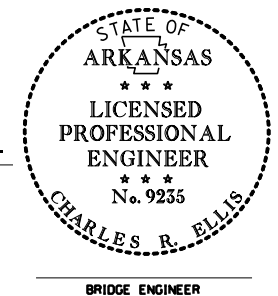
**WIDE BRIDGE OR STAGE CONSTRUCTION LAYOUT - SQUARE END, CONTINUOUS FOOTINGS**  
 $\frac{1}{8}'' = 1'-0''$



**WIDE BRIDGE OR STAGE CONSTRUCTION LAYOUT - SQUARE END, STAGGERED FOOTINGS**  
 $\frac{1}{8}'' = 1'-0''$



**WIDE BRIDGE OR STAGE CONSTRUCTION LAYOUT - SKEWED END**  
 Square End Bent Similar  
 $\frac{1}{8}'' = 1'-0''$



BRIDGE ENGINEER

The document was originally issued and sealed by Charles R. Ellis, PE No. 9235, on September 7, 2023. This copy is not a signed and sealed document.

**ALTERNATE DETAILS FOR SKEWED TYPE F APPROACH SLAB**  
**ARKANSAS STATE HIGHWAY COMMISSION**  
 LITTLE ROCK, ARK.

DRAWN BY: CGP DATE: 05/12/2023 FILENAME: b55040f.dgn  
 CHECKED BY: JYP DATE: 05/15/2023 SCALE: AS NOTED  
 DESIGNED BY: STD. DATE: -

DRAWING NO. 55040F2