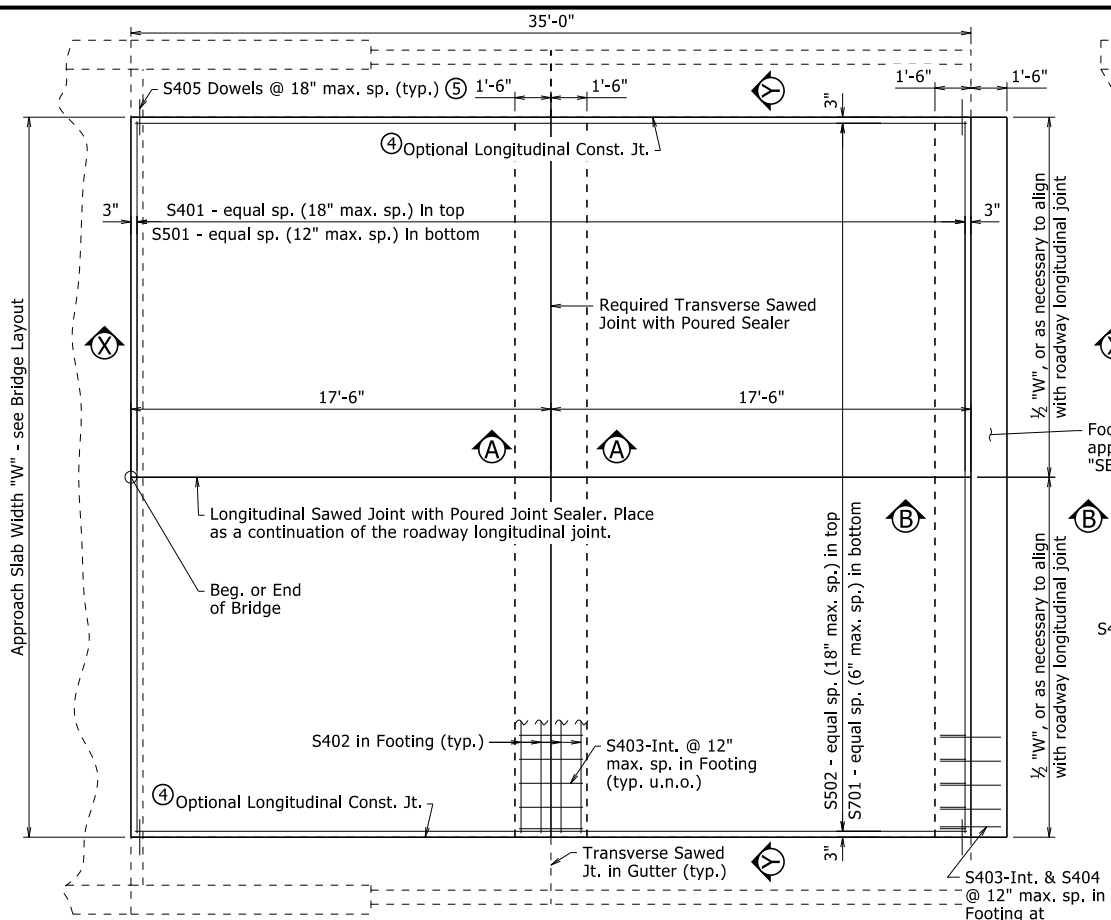
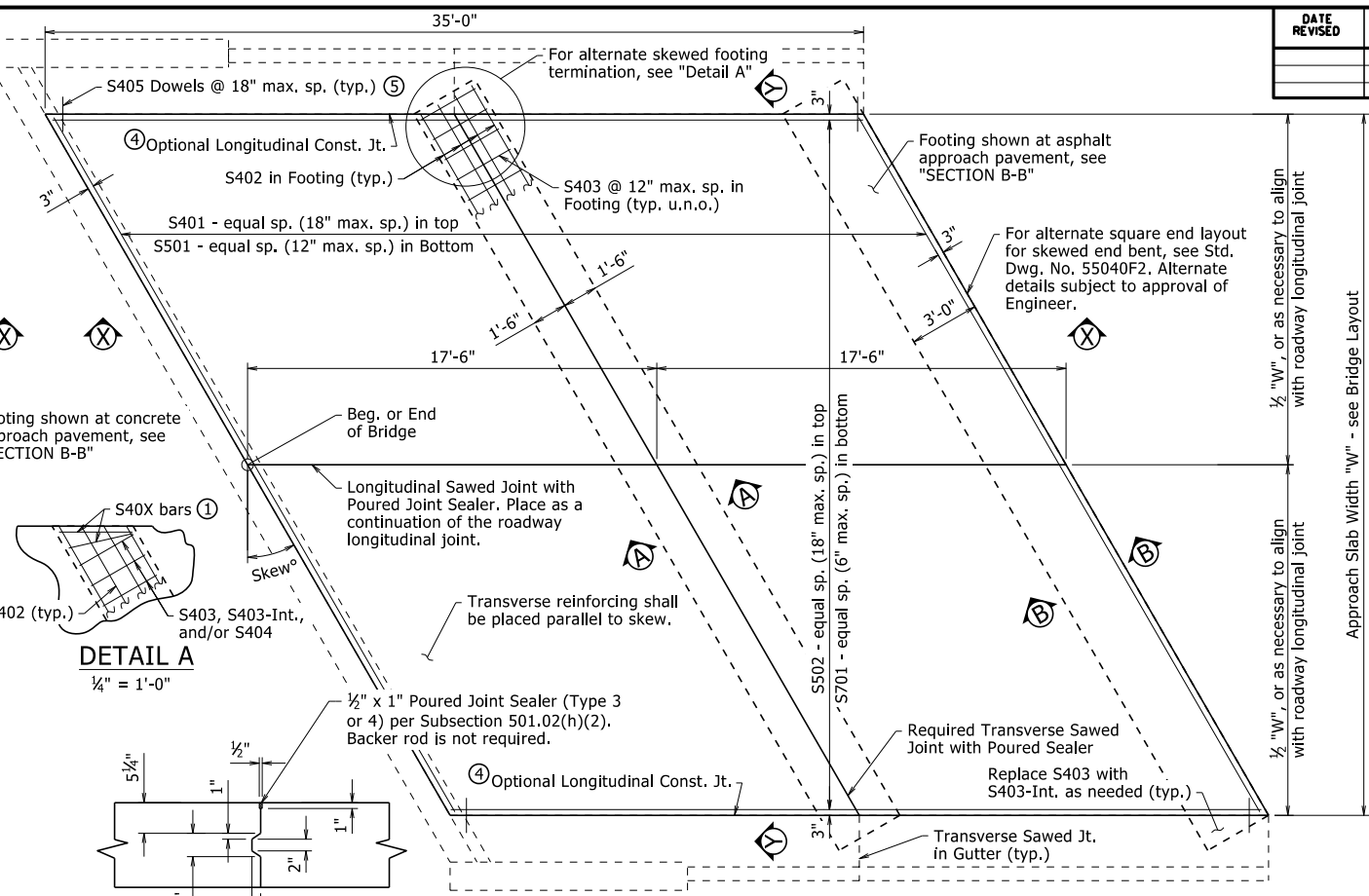


DATE REVISED	DATE REVISED	FED. RD. DIST. NO.	STATE	JOB NO.	SHEET NO.	TOTAL SHEETS
		6	ARK.			

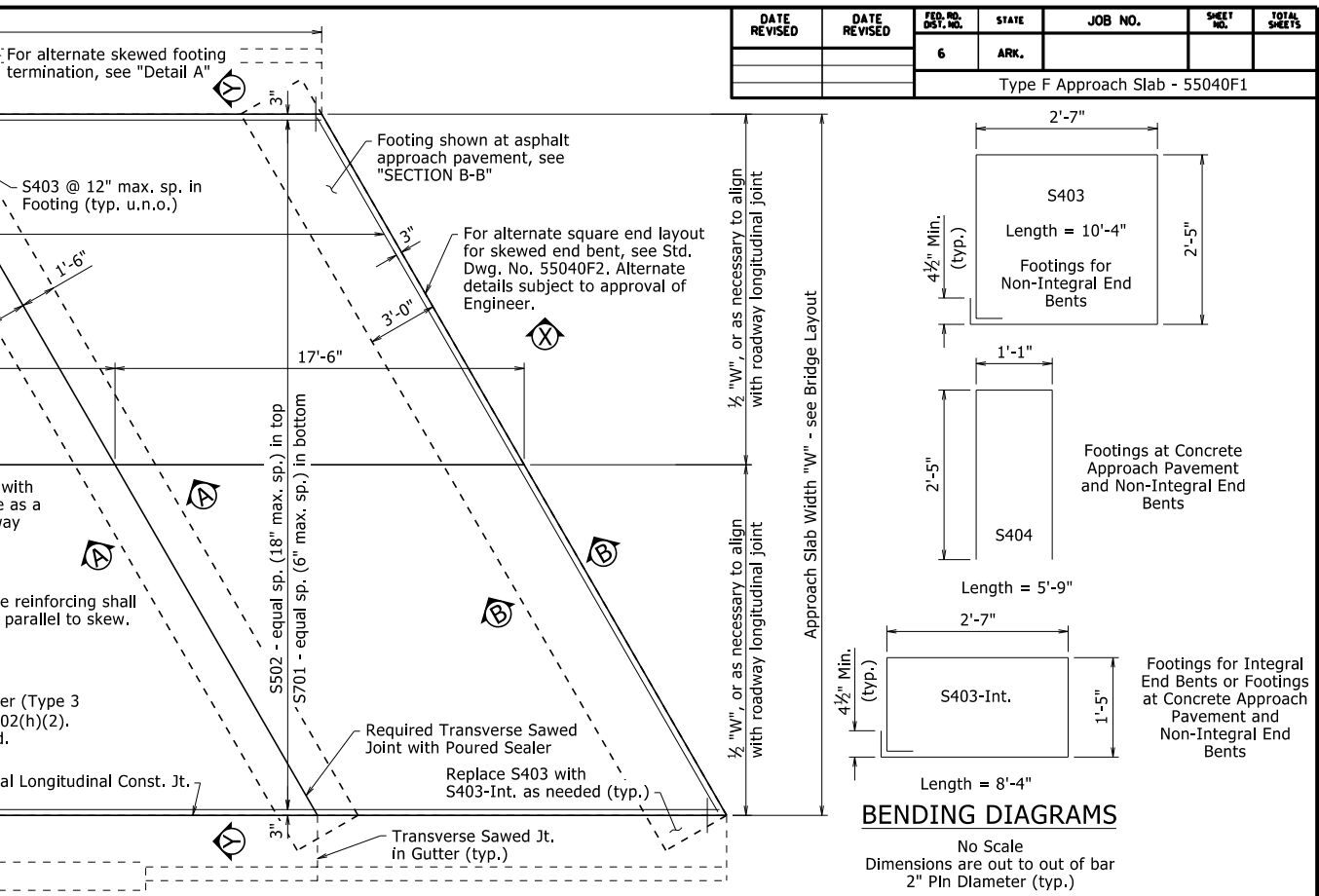
Type F Approach Slab - 55040F1



PLAN - APPROACH SLAB AT SQUARE END BENT



LONGITUDINAL CONSTRUCTION JOINT



PLAN - APPROACH SLAB AT SKEWED END BENT

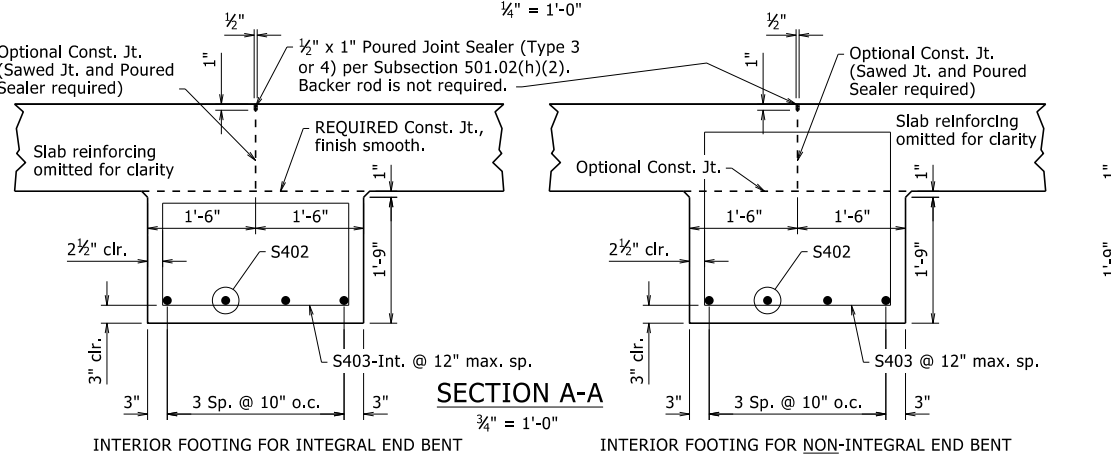
BENDING DIAGRAMS

No Scale
Dimensions are out to out of bar
2" Pln Diameter (typ.)

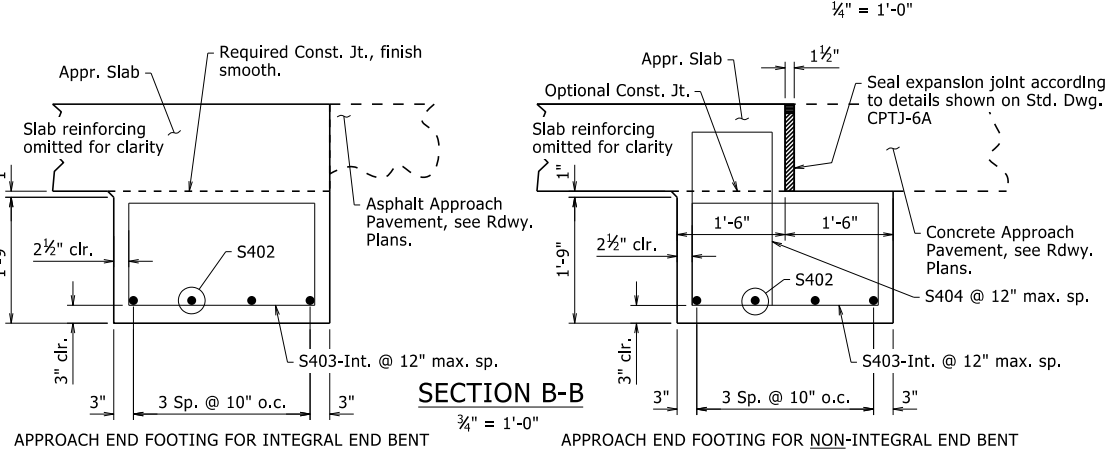
BAR LIST - PER APPROACH SLAB

Mark	Square End Bent		Skewed End Bent	
	No. Req'd.	Length	No. Req'd.	Length
S401	24	"W" - 0.33'	24	("W" - 0.33') / cos (Skew°)
S402	8	"W" - 0.33'	8	"W"/cos(Skew°) + 3.0' x tan(Skew°) - 0.33'
S403	①	②	①	②
S403-Int.	①	②	①	②
S404	①	②	①	②
S405	48	1'-6"	48	1'-6"
S501	36	"W" - 0.33'	36	("W" - 0.33') / cos (Skew°)
S502	①	34'-8"	①	34'-8"
S701	①	34'-8"	①	34'-8"

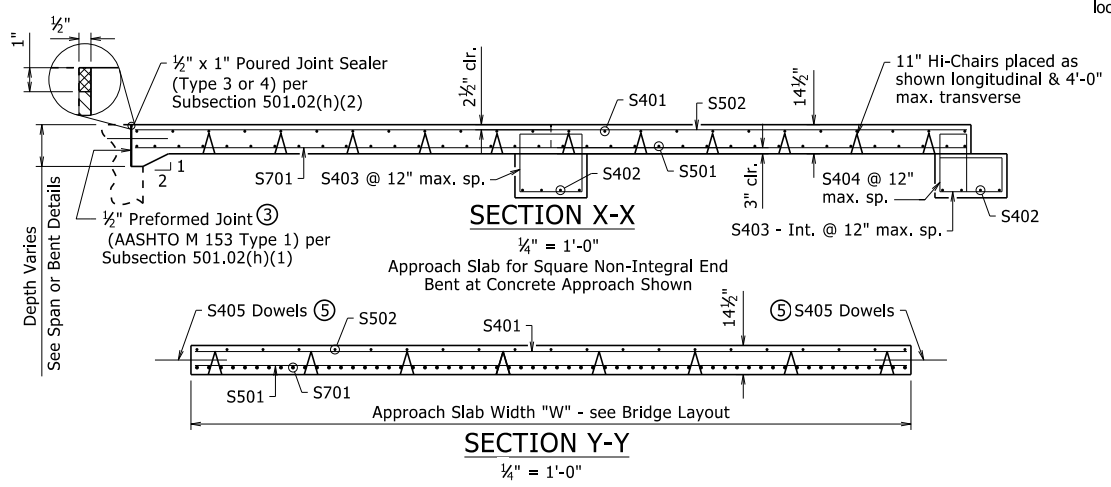
All bar lengths are in feet. ① Varies with Approach Slab Type, Width and/or Skew. ② See "BENDING DIAGRAMS"



SECTION A-A



SECTION B-B



SECTION X-X

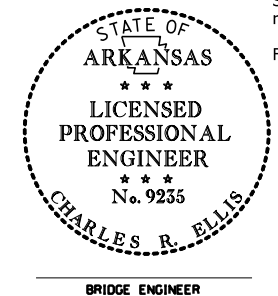
SECTION Y-Y

- ③ Eliminate Type 1 Preformed Joint when bridge details show reinforcing dowels across these joints. Poured joint sealer is required, however, backer rod shall be eliminated.
- ④ When construction joint is eliminated, place 1" Sawed Joint with 1/2" x 1" Poured Joint Sealer (Type 3 or 4) per Subsection 501.02(h)(2). Backer rod is not required.
- ⑤ Eliminate dowels when approach slab is adjacent to curb and gutter, or as directed by the Engineer.

MINIMUM BAR LAP LENGTH

#4	1'-8"
#5	2'-0"
#7	2'-10"

The document was originally issued and sealed by Charles R. Ellis, PE No. 9235, on September 7, 2023. This copy is not a signed and sealed document.



GENERAL NOTES

All concrete shall be Class S(AE) with a minimum 28 day compressive strength $f'_c = 4,000$ psi and shall be poured in the dry.

All reinforcing steel shall be Grade 60 (yield strength = 60,000 psi) conforming to AASHTO M 31 or M 322, Type A, with mill test reports.

The surface finish for Approach Slabs shall match that used on the bridge deck.

All longitudinal lines within the limits of horizontal curves shall be on curves concentric to C.L. Bridge. Adjustment to longitudinal bar lengths may be required. Transverse reinforcing shall be placed on radial lines to C.L. Bridge.

See Plans for actual Approach Slab Width, "W", end bent or span details, and approach pavement. Units of "W" are in Feet.

Approach Slabs will be measured and paid for in accordance with Section 504.

Scales shown are for full size 22"x34" drawings. When using 11"x17" drawings, reduce scale by one half.

For Table of Quantities, see "SCHEDULE OF BRIDGE QUANTITIES".

STANDARD DETAILS FOR TYPE F APPROACH SLAB

ARKANSAS STATE HIGHWAY COMMISSION
LITTLE ROCK, ARK.

DRAWN BY: CGP DATE: 05/12/2023 FILENAME: b55040f.dgn
CHECKED BY: JYP DATE: 05/15/2023 SCALE: AS NOTED
DESIGNED BY: STD. DATE: -

BRIDGE ENGINEER
DRAWING NO. 55040F1