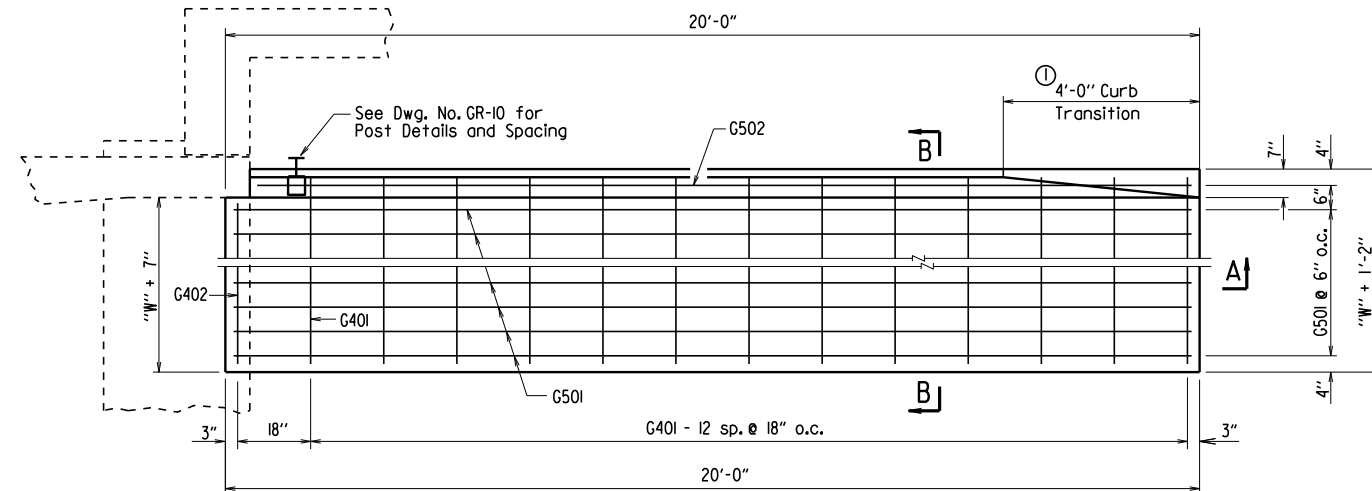


DATE REVISED	DATE FILMED	DATE REVISED	DATE FILMED	FED. ROAD DIST. NO.	STATE	FED. AID PROJ. NO.	SHEET NO.	TOTAL SHEETS
				6	ARK.			
JOB NO.							TYPE E GUTTERS	55030E



HALF PLAN OF APPROACH GUTTERS FOR SQUARE BRIDGE

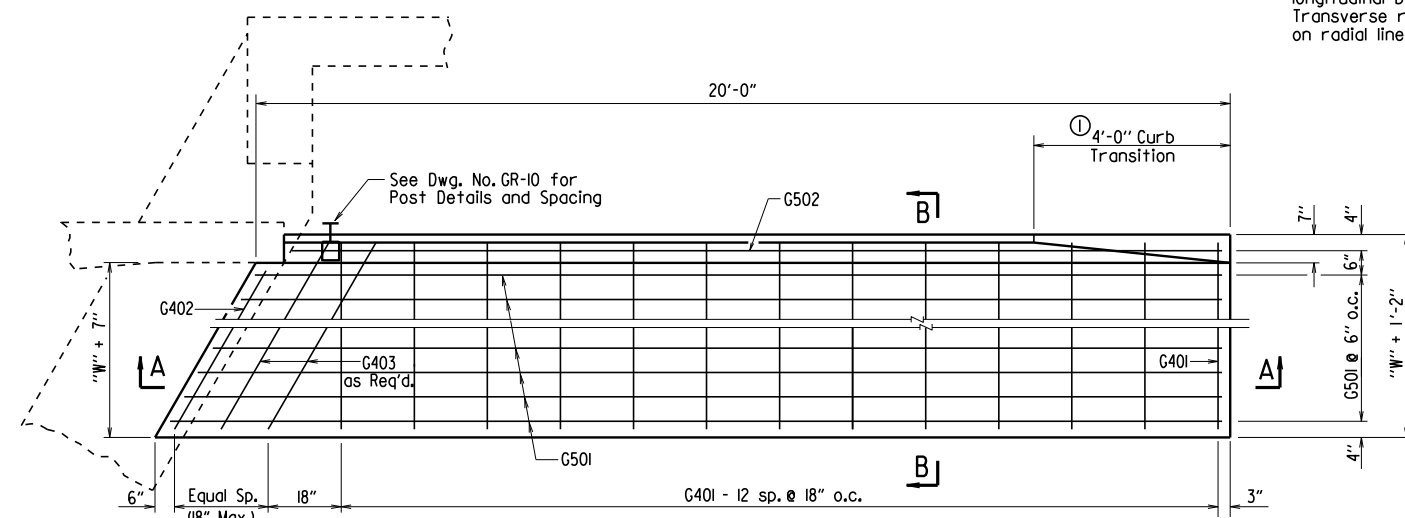
Note:
All longitudinal lines within the limits of horizontal curves shall be on curves concentric to C.L. Bridge. Adjustment to longitudinal bar lengths may be required. Transverse reinforcing shall be placed on radial lines to C.L. Bridge.

- ① Construct gutter curb with height-transition as shown if drop inlet is not placed at end of gutter.
- Construct gutter curb full height (no height-transition) if drop inlet is placed at end of gutter. Curb height transition placed on drop inlet. See drop inlet details.

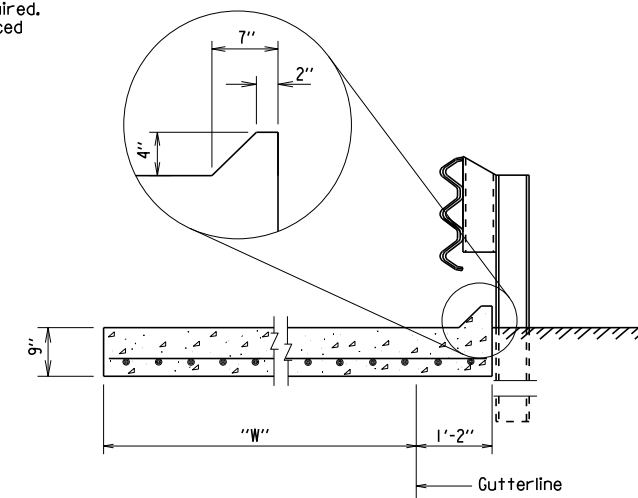
BAR LIST FOR ONE TYPE E GUTTER

Mark	No. Req'd. for Width "W"				Length
	3'-0"	4'-0"	6'-0"	8'-0"	
G401	13	13	13	13	"W" + 10"
④ G402	1	1	1	1	"W" + 3"
⑤ G403	⑥	⑥	⑥	⑥	Varies
④ G501	7	9	13	17	19'-8"
G502	1	1	1	1	19'-2"

- ④ Bar Lengths vary with Skew. Lengths shown are for Square Bridges.
- ⑤ Required at skewed bridges only.
- ⑥ No. Req'd. varies with skew.



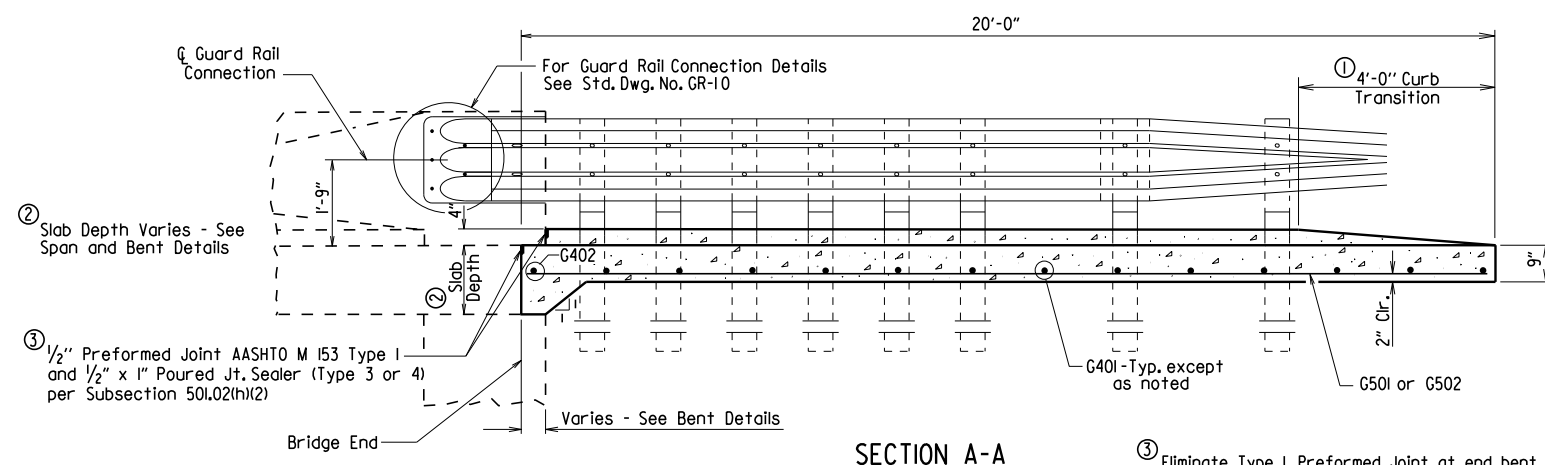
HALF PLAN OF APPROACH GUTTERS FOR SKEWED BRIDGE



SECTION B-B
N.T.S.

QUANTITIES FOR ONE SQUARE APPROACH GUTTER
(FOR INFORMATION ONLY)

"W" Width (ft.)	Reinforcing Steel (Lbs.)	Concrete (Cu. Yds.)
3	200	2.40
4	255	3.00
6	355	4.10
8	455	5.20



SECTION A-A

- ② Slab Depth Varies - See Span and Bent Details
- ③ 1/2" Preformed Joint AASHTO M 153 Type I and 1/2" x 1" Poured Jt. Sealer (Type 3 or 4) per Subsection 501.02(h)(2)

- ③ Eliminate Type I Preformed Joint at end bent backwall when gutters used with Type E Approach Slabs. Poured joint sealer is required, however backer rod shall be eliminated.

GENERAL NOTES
This drawing is for use with Reinforced Concrete Slab Spans.
All concrete shall be Class S or Class (S/AE) or mixture used for Portland Cement Concrete Pavement and shall be poured in the dry.
All reinforcing steel shall be Grade 60 (yield strength = 60,000 psi) conforming to AASHTO M 31 or M 322, Type A, with mill test reports.
Approach Gutters will be measured and paid for in accordance with Section 504.

STANDARD DETAILS FOR
TYPE E APPROACH GUTTERS
ARKANSAS STATE HIGHWAY COMMISSION
LITTLE ROCK, ARK.
DRAWN BY: A.M.S. DATE: 2/27/2014 FILENAME: b55030e.dgn
CHECKED BY: K.W.Y. DATE: 2/27/2014 SCALE: 1/2" = 1'-0" or As Shown
DESIGNED BY: STD. DATE: -
DRAWING NO. 55030E